

THE PURPLE™ STIRRUP REPAIR GUIDE

03-0109-A

STIRRUP BOOT REPLACEMENT

Scope: This document provides instructions for the replacement of the Boot Shell on the Kyra Comfort 3000, 3100, 5000, 5100, 5200 and similar models.

BEFORE USING THIS PROCEDURE ENSURE THAT IT IS THE LATEST REVISION:

03-0109, Rev A

Kyra Repair Guide_Stirrup Boot
ECO 1053, Effective Date: 28 June, 2019



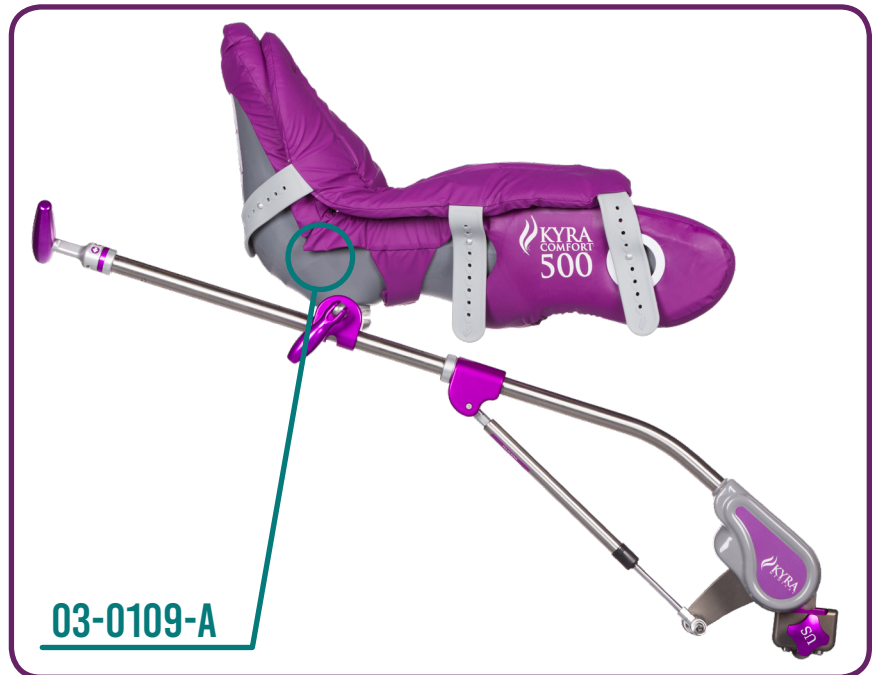
Kyra Medical Inc.
100 Otis St. Unit 1
Northborough, MA 01532
United States of America



EC

REP

Emergo Europe, Prinsessegracht 20
2514 AP The Hague, Netherlands



REQUIRED COMPONENTS, OTS PARTS AND MATERIALS

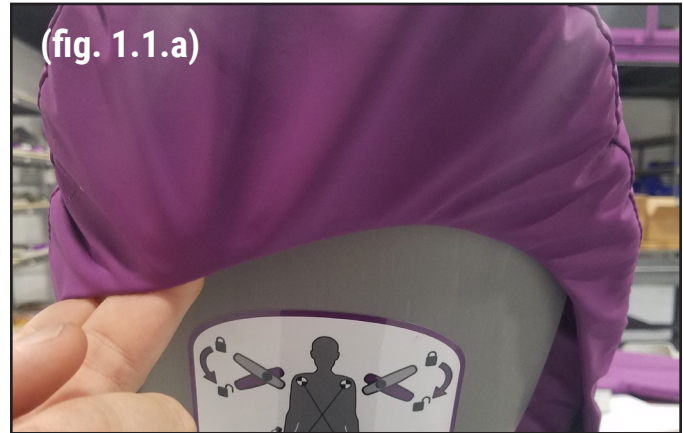
ITEM	PART NUMBER	DESCRIPTION	QTY.
1	KYRA-9XXX	Refer to Repair Kit Order Form, doc. #MKT-1012-A for specific Boot Shell type	1
2	CMP-1197-A	Label, Tri-Lobe Inner Boot	1
3	OTS-1044	18-8 Stainless Steel Socket Head Screw, 10-24 Thread Size, 5/8" Long	3
4	OTS-1045	18-8 SS Mil. Spec. Washer, Passivated, Number 10 Screw Size, NAS 620-C10	3
5	OTS-1047	Loctite 243 Threadlocker, One-time use, .02 oz	1

Property of Kyra Medical, Inc. ©2019



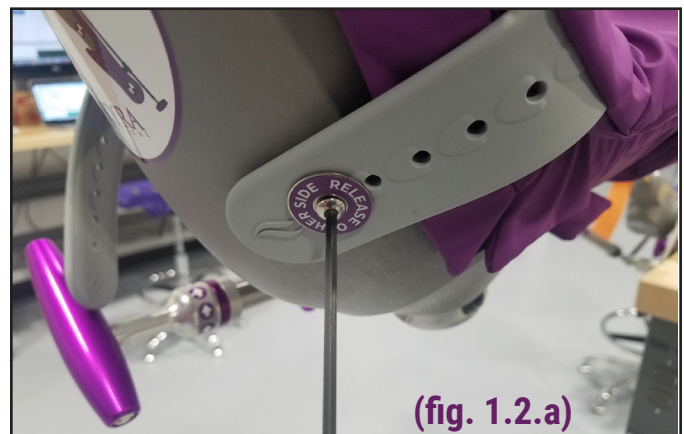
1. REMOVAL INSTRUCTIONS:

- 1.1 Remove the boot pad from the Boot Shell. Sewn Comfort Pad or Molded Clean Pad. (fig. 1.1.a)

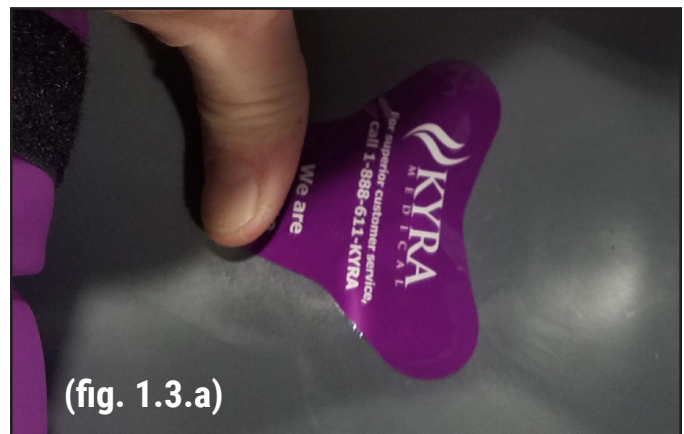


- 1.2 Remove the Top Flap. Sewn Comfort Pad and Molded Clean Pad are similar. Remove fasteners and washers from anchor straps and save. (fig. 1.2.a)

Clamshell does not have a separate Top Flap. It will be removed in the prior step along with the boot pad.

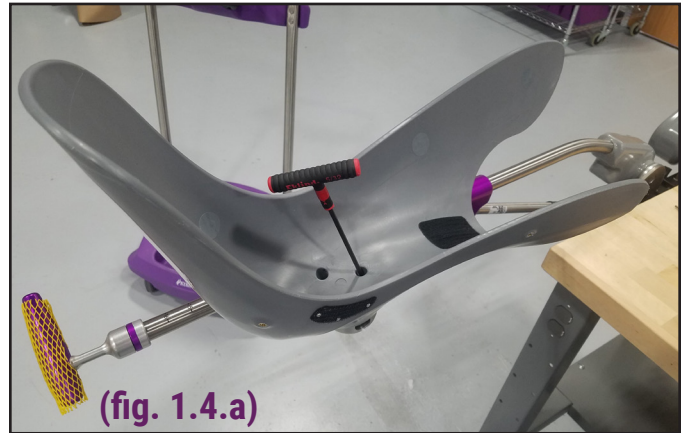


- 1.3 Remove the Inner Tri-Lobe label at the bottom of the Boot Shell and discard. This will expose the three fasteners holding the Boot Shell to the Boot Mount. (fig. 1.3.a)

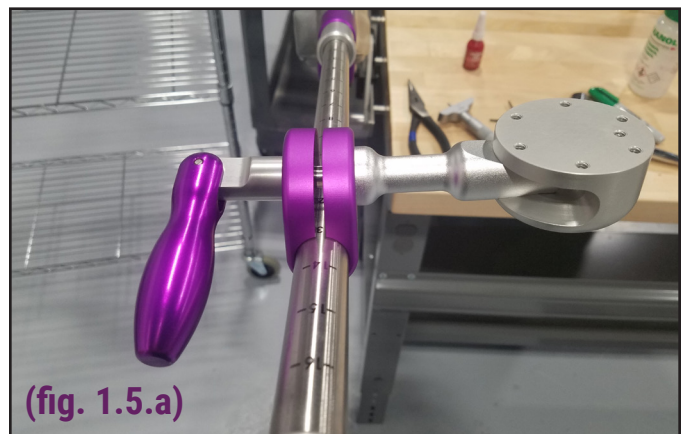


1. REMOVAL INSTRUCTIONS: (CONT'D)

- 1.4 Using a Hex Wrench, remove the three fasteners at the base of the Boot Shell. Each fastener has a washer under it which may stick in the hole. The Boot Shell and the Fasteners will be discarded so the washers do not need to be retrieved if stuck. (fig. 1.4.a)



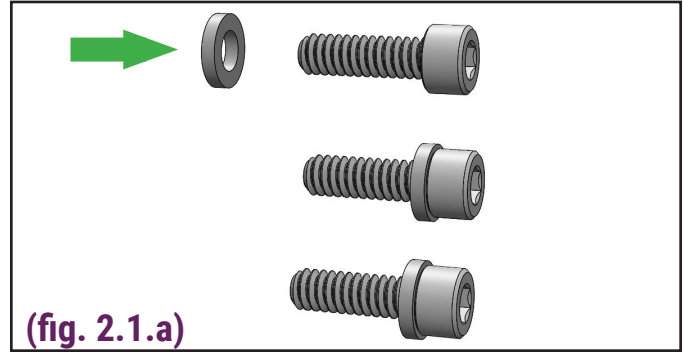
- 1.5 Ensure Boot Mount surface is clean and free of debris. Ensure threaded holes are not damaged. If damage to the Boot Mount is found, replace the Boot Mount. (fig. 1.5.a)



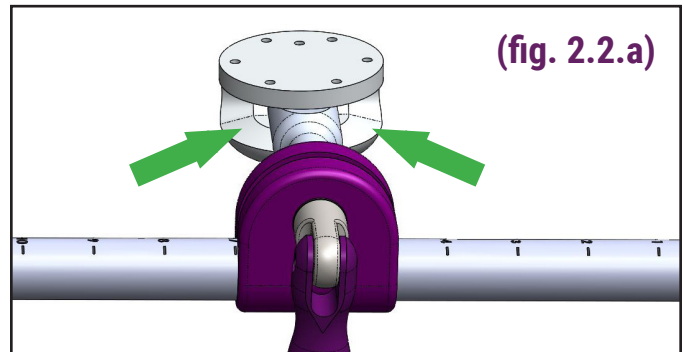
Continue to Next Page...

2. INSTALLATION INSTRUCTIONS:

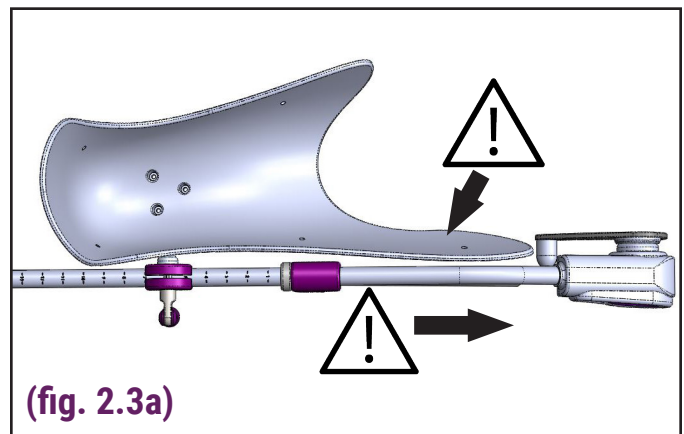
- 2.1 Prepare three fasteners per Boot Shell. Install one OTS-1045 Washer each onto OTS-1044 Fastners. (fig. 2.1.a)



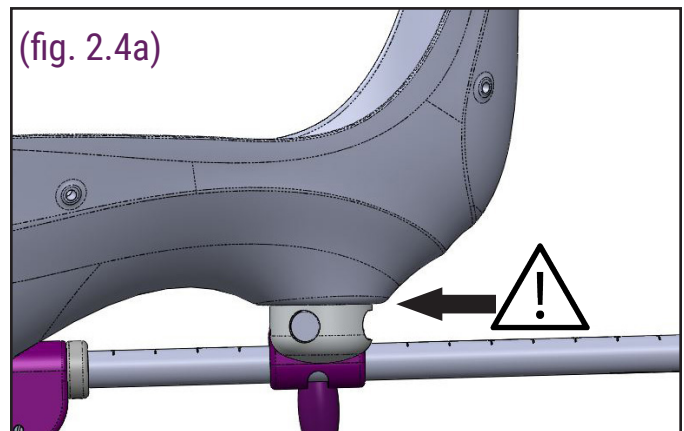
- 2.2 Ensure neutral alignment of Mounting Puck. The Puck Standoff should be in the middle of the curved Puck Slot. (fig. 2.2.a)



- 2.3 Place New Boot Shell onto Boot Mount. Ensure Long Wing is along the Stirrup Frame Side. Ensure the Wing side of the Boot is facing the Clamp/Rail side of the Stirrup Frame. (fig. 2.3a)

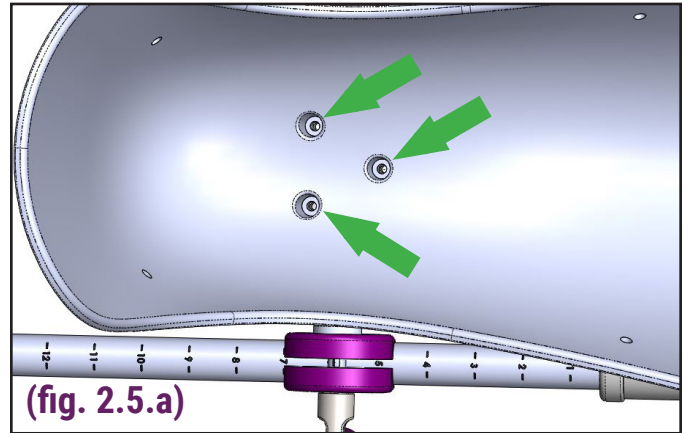


- 2.4 Ensure Boot Shell rests flat on Boot Mount. (fig. 2.3a)

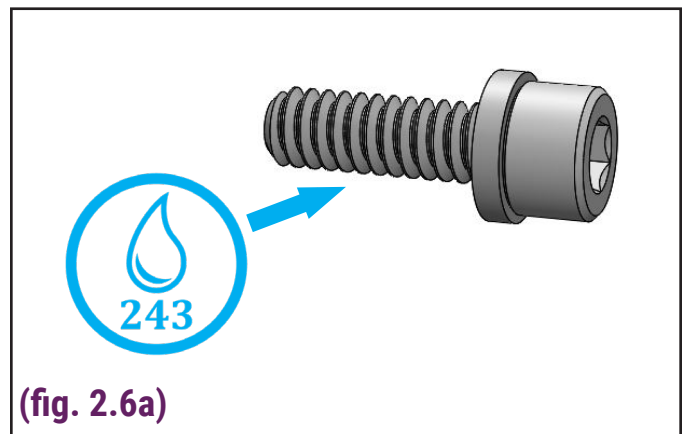


2. INSTALLATION INSTRUCTIONS: (CONT'D)

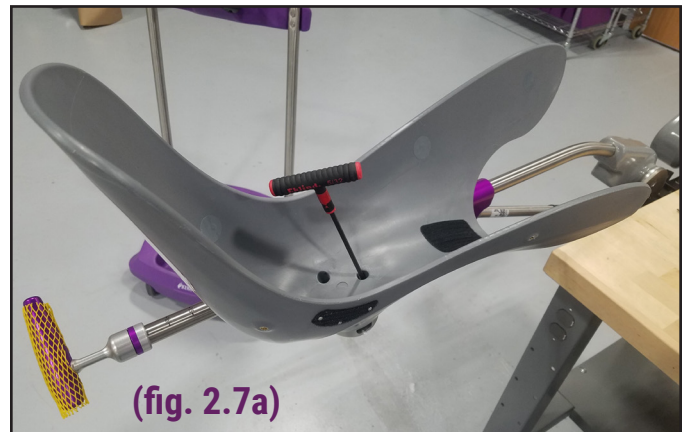
- 2.5 Ensure the three mount holes in the Boot Shell line up with the three threaded holes in the Boot Mount. (fig. 2.5.a)



- 2.6 Apply Loctite 243 (Blue) to the three fasteners. (fig. 2.6a)



- 2.7 Install three mounting screws with washers and Loctite 243 into the corresponding mount holes in the boot and through to the Mount Puck. Hand Tighten. (fig. 2.7a)

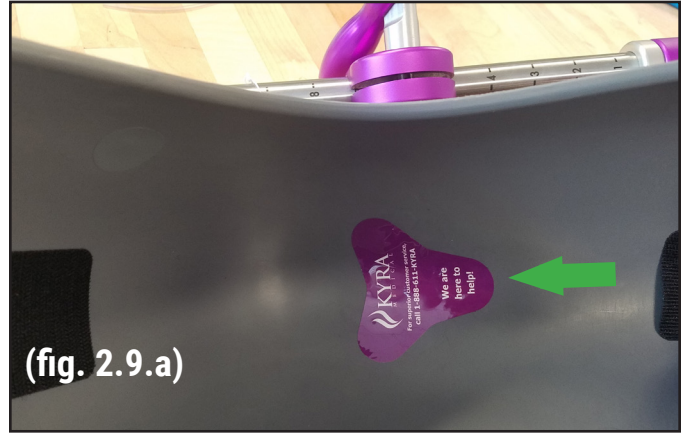


- 2.8 Check fit and function of Boot Shell. When Boot Mount is fully tightened the boot should display no other movement than the standard "Boot Float" about the Y-Axis. (Toe to Wing rotation about the Boot Mount Standoff)



2. INSTALLATION INSTRUCTIONS: (CONT'D)

- 2.9 Apply new Tri-Lobe Inner Boot Label, CMP-1041-B over screw locations. (fig. 2.9.a)



- 2.10 Installation of the Sewn Boot Pad is the reverse of removal.
Refer to Repair Guide 03-106, Rev A, Boot Pad Replacement for instructions.

END