

THE PURPLE™ STIRRUP REPAIR GUIDE

03-0110-A BOOT MOUNT HANDLE

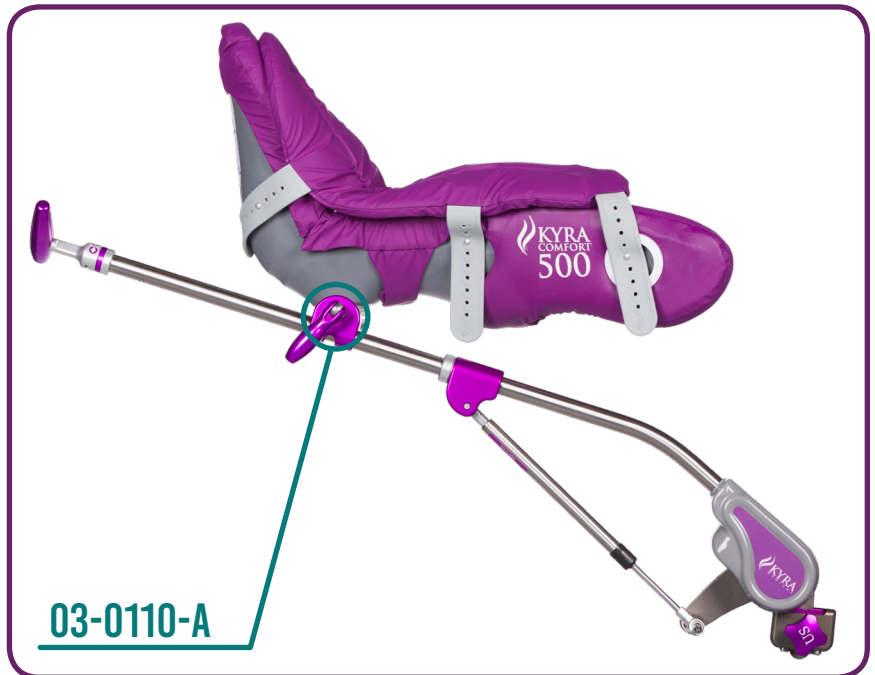
Scope: This document provides instructions for the replacement of the Boot Mount Swivel Handle on the Kyra Comfort 3000, 3100, 5000, 5100, 5200 and similar models.

BEFORE USING THIS PROCEDURE ENSURE THAT IT IS THE LATEST REVISION:

03-0110, Rev A

Kyra Repair Guide_Boot Mount Handle
ECO 1053, Effective Date: 28 June, 2019

	Kyra Medical Inc. 100 Otis St. Unit 1 Northborough, MA 01532 United States of America	
	EC REP Emergo Europe, Prinsessegracht 20 2514 AP The Hague, Netherlands	



REQUIRED COMPONENTS, OTS PARTS AND MATERIALS

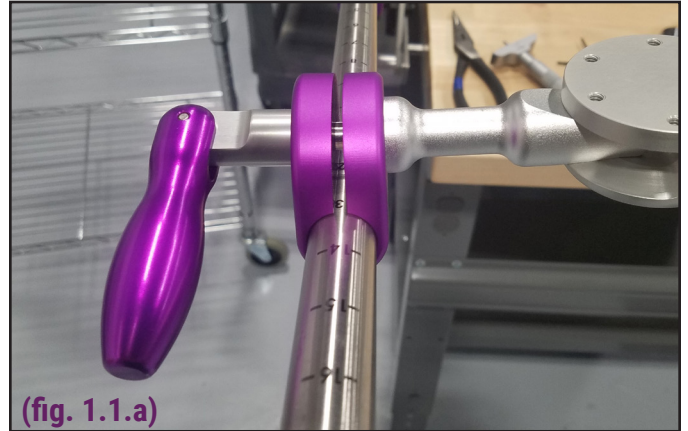
ITEM	PART NUMBER	DESCRIPTION	QTY.
1	CMP-1009-B	Pivoting Handle	1
2	CMP-1008-A2	Handle Base, Threaded	1
3	OTS-1003	Bearing, Thrust, 3/8" ID, 3/4" OD, 1/16" TK, Oilite	1
4	OTS-1022	Shoulder Screw, 3/16" SH, 8-32 x 1/2" L, 18-8 SS	1
5	OTS-1023	O-Ring, 1/16" Width, Dash 008, Viton	2

Property of Kyra Medical, Inc. ©2019



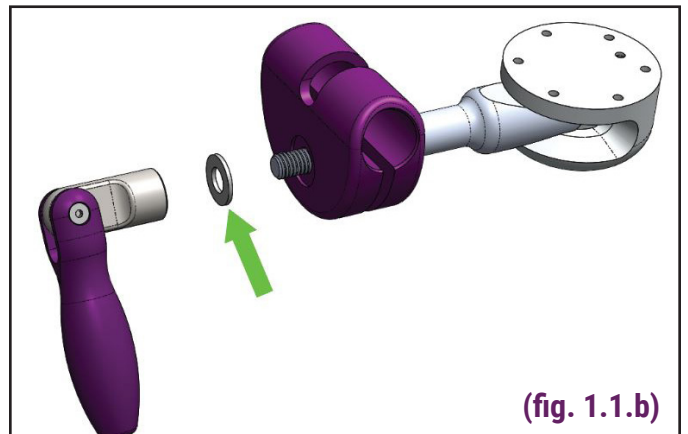
1. REMOVAL INSTRUCTIONS:

1.1.a Unscrew and remove the Handle from boot mount by turning counter clockwise. Be advised this will cause the Boot to become loose about the support tube. (fig. 1.1.a)



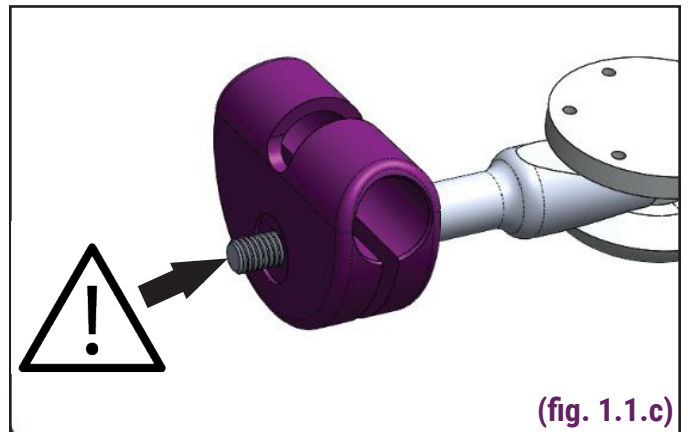
(fig. 1.1.a)

1.1.b Remove the old Oilite washer from below the swivel handle. (fig. 1.1.b)



(fig. 1.1.b)

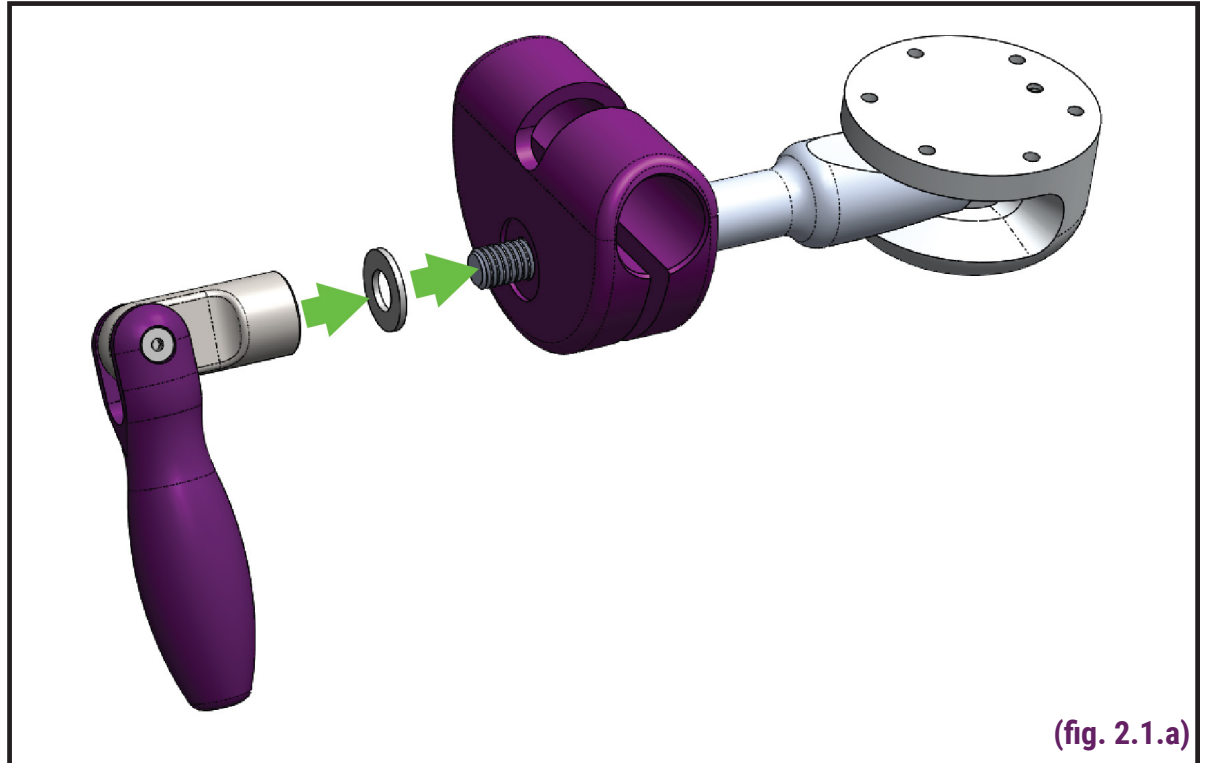
1.1.c Check the threads of the Boot Mount Stud. Ensure threads are clean and free from debris. (fig. 1.1.c)



(fig. 1.1.c)

2. INSTALLATION INSTRUCTIONS:

2.1.a Install New Oilite washer onto Boot Mount Stud. Repair Kit comes fully assembled. Install Boot Swivel Handle by turning clockwise. Test functionality of Boot mount. (fig. 2.1.a)



END